



Instruction Manual

Stainless Steel Pallet Truck

Part Number: 272152



Note: Operator MUST read and understand these operating instructions before using this Hand Pallet Truck.

Table of Contents

1	General Information	2
2	Attaching Draw-Bar to Pump Unit.....	4
3	Adjusting Release Device.....	4
4	Maintenance.....	5
	4.1 Oil.....	5
	4.2 Air Removal.....	5
	4.3 Daily Check.....	5
	4.4 Lubrication.....	5
5	Safety Information.....	6
6	Trouble Shooting.....	7
7	Part Information (For Units Purchased After 2016).....	8
	7.1 Parts Diagram.....	8
	7.2 Parts List.....	8
8	Draw-Bar Part Information (For Units Purchased Before 2017).....	9
	8.1 Draw-Bar Parts Diagram.....	9
	8.2 Draw-Bar Parts List.....	10
9	Fork Frame Parts Information (For Units Purchased Before 2017).....	11
	9.1 Fork Frame Parts Diagram.....	11
	9.2 Fork Frame Parts List.....	12
10	Hydraulic System Parts Information (For Units Purchased Before 2017).....	13
	10.1 Hydraulic System Parts Diagram.....	13
	10.2 Hydraulic System Parts List.....	14

ATTENTION: TO INSURE SAFE AND EASY USE OF YOUR WESCO PALLET TRUCK, READ THESE INSTRUCTIONS ENTIRELY BEFORE USING.

Thank you for purchasing a Wesco Stainless Steel Pallet Truck. This pallet truck is constructed of high quality 304 stainless steel and designed for transporting and horizontal lifting. The truck can transport loads on a pallet or standardized containers on a level, fixed base. For safe and appropriate operation, please carefully read these instructions before operating the unit.

NOTE: All of the information reported herein is based on data available at the moment of printing. We reserve the right to modify our own products at any moment without notice and liability in any sanctions. So, it is suggested to always verify possible updates and changes.

1. GENERAL SPECIFICATIONS

Capacity	5500 lbs	2500 kg
Maximum Fork Height	7 in	190 mm
Minimum Fork Height	3 in	75 mm
Fork Length	48 in	1220 mm
Overall Forks Width	27 in	685 mm
Individual Fork Width	6.25 in	160 mm
Load Wheel Diameter	Ø3 in x 2.8 in Nylon	Ø74 mm x 70 mm Nylon
Steering Wheel Diameter	Ø7 in Nylon	Ø180 mm Nylon

Materials and specifications are subject to change without notice.

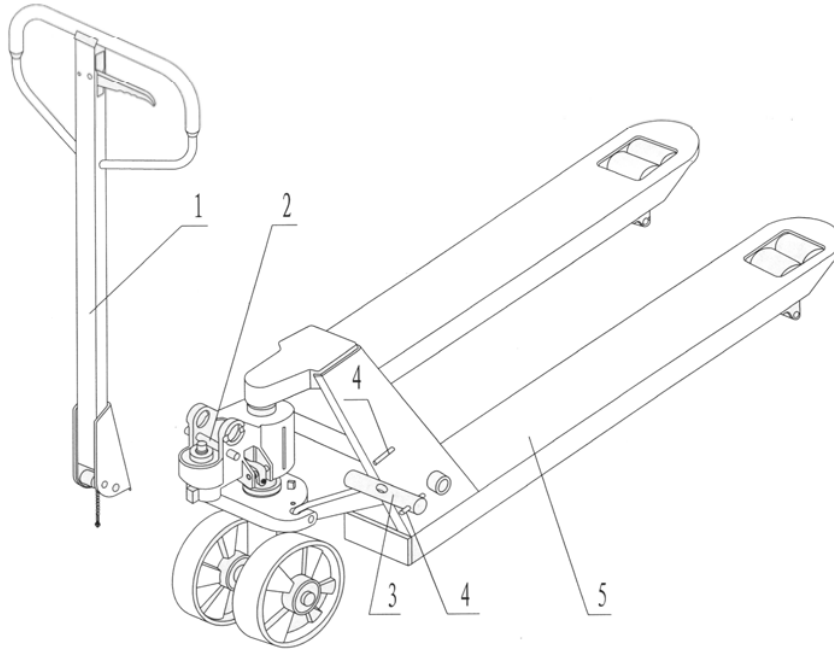
2. ATTACHING DRAW-BAR TO PUMP UNIT

If you have purchased a boxed pallet truck, some assembly is required. You will need the following tools: a hammer, pliers, a wrench, etc. Along with those tools, the following parts are needed: one Axle with Hole (105S) and two Elastic Pins (106S). These parts are packaged in a plastic bag, which is packed inside the draw-bar.

NOTE: One Elastic Pin is in the Axle (105S).

ATTENTION: TO INSURE SAFE AND EASY USE OF YOUR WESCO PALLET TRUCK, READ THESE INSTRUCTIONS ENTIRELY BEFORE USING.

2. ATTACHING DRAW-BAR TO PUMP UNIT (continued)



1. Draw Bar 2. Pin 3. Axle with Hole 4. Elastic Pin 5. Fork Frame

Fig. 1

2.1 Insert the Draw-Bar onto the Pump Piston (303), then use a hammer to insert the Axle with Hole (105S) into the Hydraulic Pump and Draw-Bar **from the right to left** (from the perspective of standing behind the unit). (See Fig. 2).

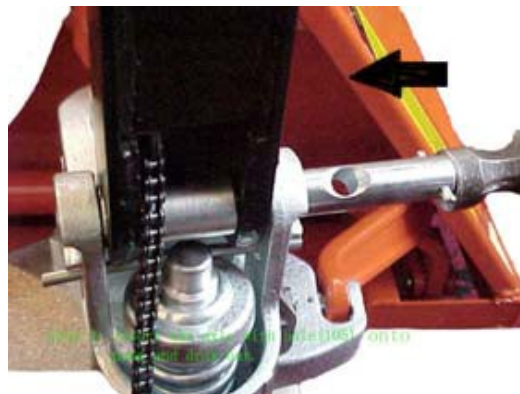


Fig. 2

ATTENTION: TO INSURE SAFE AND EASY USE OF YOUR WESCO PALLET TRUCK, READ THESE INSTRUCTIONS ENTIRELY BEFORE USING.

2. ATTACHING DRAW-BAR TO PUMP UNIT (continued)

2.2 Set the Control Handle (117S) to the '**LOWER**' position, then pass the Adjusting Nut (104S), Adjusting Bolt (103S) and Chain (102S) through the hole of the axle (105S) by hand (See Fig. 3).

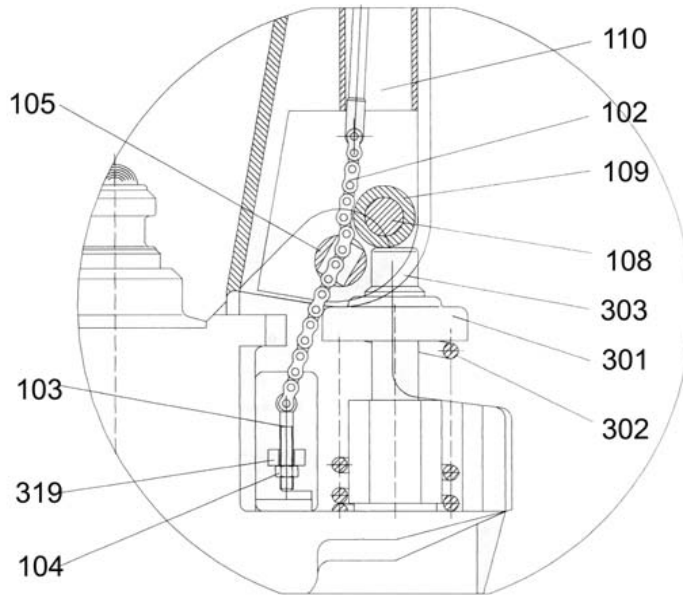


Fig. 3

2.3 Press the Draw-Bar (110S) down and then take away the Pin (See Item 2 in Fig. 1).

2.4 Set the Control Handle (117S) to the '**RAISE**' position, then raise the Lever Plate (319S) with the Pin (Item 2 in Fig. 1) and insert the Adjusting Bolt (103S) into the front slot of the Lever Plate (319S).

Note: Keep the Adjusting Nut (104S) on the underside of the lever plate.

2.5 Use a hammer to insert another Elastic Pin (106S) into the Axle with Hole (105S). The Draw-Bar is now assembled to the pump.

3. ADJUSTING RELEASE DEVICE

The Control Handle (117S) is located on the Draw-Bar of the truck and can be adjusted to three different positions:

Raise	-handle down
Drive	-handle in center position
Lower	-handle up, the lever moves back to the drive position when released.

If however they have been changed, you can adjust according to following step:

3.1 If the forks elevate while pumping in the **DRIVE** position, turn the Adjusting Nut (104S) on the Adjusting Bolt (103S) or Screw (318S) clockwise until pumping action does not raise the forks and the **DRIVE** position functions properly.

3. ADJUSTING RELEASE DEVICE (continued)

- 3.2** If the forks descend while pumping in the **DRIVE** position, turn the Nut (104S) or Screw (318S) counter-clockwise until the forks do not lower.
- 3.3** If the forks do not descend when the Control Handle (117S) is in the **LOWER** position, turn the Nut (104S) or Screw (318S) clockwise until raising the Control Handle (117S) lowers the forks. Then check the **DRIVE** position according to item 3.1 and 3.2 to be sure the Nut (104S) and Screw (318S) are in the proper position.
- 3.4** If the forks do not elevate while pumping in the **RAISE** position, turn the Nut (104S) or Screw (318S) counter-clockwise until the forks elevate while pumping in the **RAISE** position. Then check the **LOWER** and **DRIVE** position according to item 3.1, 3.2 and item 3.3.

4. MAINTENANCE

The pallet truck is mostly maintenance-free.

4.1 OIL

Please check the oil level every six months. The oil can be hydraulic oil: ISO VG32, its viscosity should be 30cSt at 104°F (40°C), total volume is about 0.4lt.

4.2 AIR REMOVAL

Air may contaminate the hydraulic oil through use during transportation or pumping up to a position. It can cause the forks to not elevate while pumping in the **RAISE** position. The air can be cleared out by setting the control handle (117S) to the **LOWER** position, then moving the draw-bar up and down repeatedly.

4.3 DAILY CHECK AND MAINTENANCE

Check the pallet truck daily to limit wear as much as possible. Pay special attention to the wheels and the axles because thread, rags, etc. may block the wheels. The forks should be unloaded and set to the lowest position when not in use.

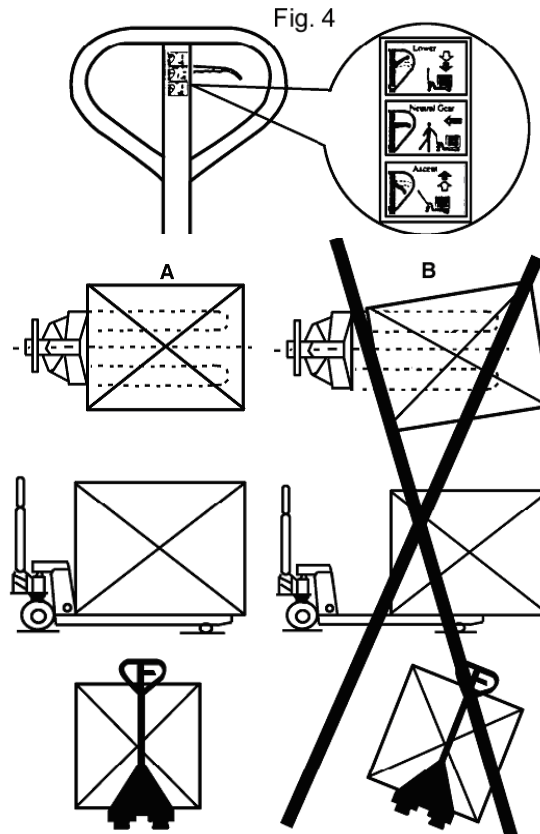
4.4 LUBRICATION

All bearings and shafts are provided with long-life grease at the factory. Long-life grease only needs to be applied at monthly intervals or after each thorough cleaning of the lubrication points.

ATTENTION: TO INSURE SAFE AND EASY USE OF YOUR WESCO PALLET TRUCK, READ THESE INSTRUCTIONS ENTIRELY BEFORE USING.

5. SAFETY INFORMATION

- 5.1 Operator should read all warning labels and instructions before using this truck.
- 5.2 Do not use on uneven surfaces.
- 5.3 Do not operate the pallet truck unless you are familiar with the unit and have been trained or authorized to do so.
- 5.4 Do not operate the pallet truck unless you have checked its condition. Check the wheels, the rollers, the draw-bar unit, the fork unit, the lever plate, etc.
- 5.5 To pull the truck, always move the control handle into the drive position. This makes the draw-bar easier to move and depressurizes the pump section of the hydraulics. Making sure to do this will preserve the hydraulic seals and the valve components in order to maintain a long service life.
- 5.6 Do not lift or transport people on the pallet truck.
- 5.7 When the goods have been transported, people should keep a distance of 2' (600mm) away from the forks.
- 5.8 Do not load goods like fig. 5/B. Center loads on the pallet truck.
- 5.9 Do not load the truck over the maximum capacity of the unit: 4,400 lbs (2000kg).



ATTENTION: TO INSURE SAFE AND EASY USE OF YOUR WESCO PALLET TRUCK, READ THESE INSTRUCTIONS ENTIRELY BEFORE USING.

6. TROUBLE SHOOTING

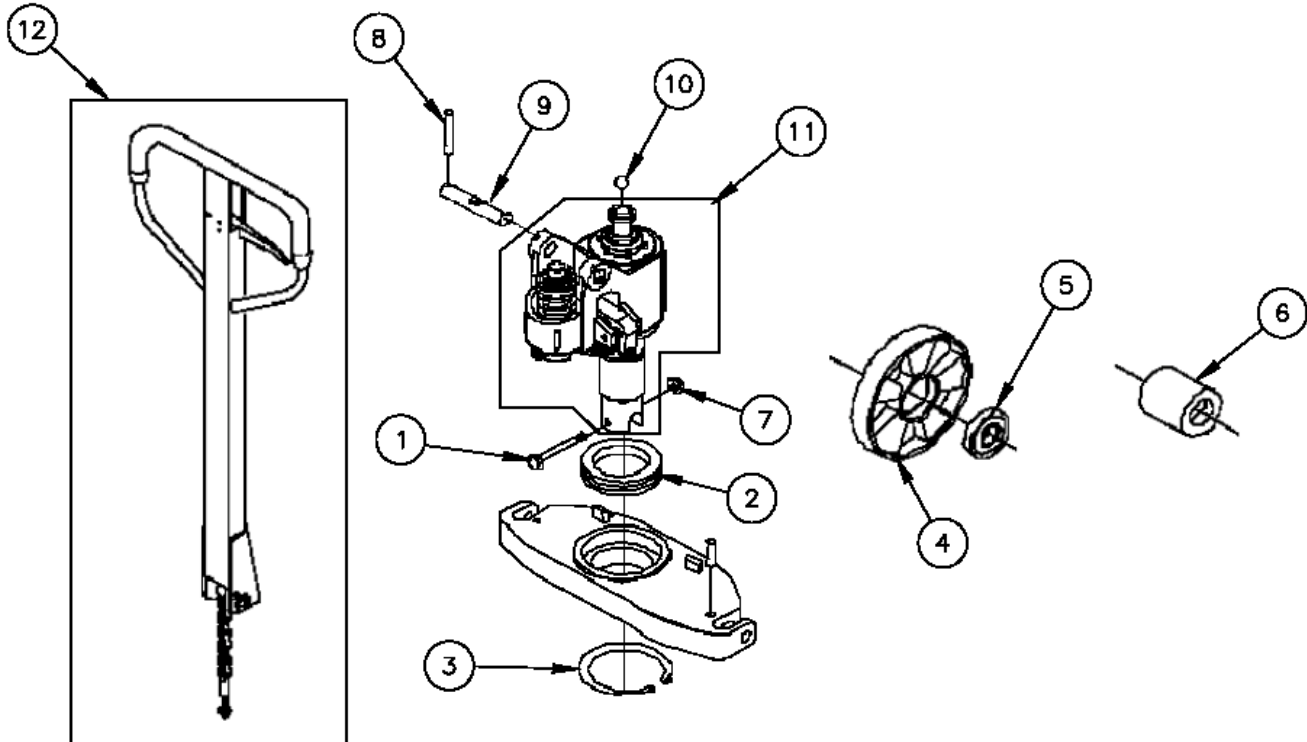
No	Problem	Causes	Solutions
1	Forks cannot lift to maximum height	- There is not enough hydraulic oil.	- Pour in hydraulic oil.
2	Forks cannot lift up	- No hydraulic oil. - The oil has impurities. - The Adjusting Nut (104S) is too high, keeping the pumping valve open. - Air enters the hydraulic system.	- Refill the hydraulic oil. - Change the oil. - Adjust the nut (104S) or screw (318S) (see item 3.4) - Remove the air.(see item 4.2)
3	Forks cannot be lowered	-The Piston Rod (328) or Pump Body (322S) is deformed resulting from partial loading slanting to one side or over-loading. -The fork was kept in a high position for an extended amount of time. The piston rod bore to arise in rusting and jamming of the rod. - The Adjusting Nut (104S) or Screw (318S) is not in correct position.	- Replace the Piston Rod (328) or Pump Body (322S). -Keep the fork in the lowest position if not using, and pay more attention to lubricate the rod. -Adjust the Nut (104S) or Screw (318S) (see item 3.3)
4	Leaks	- Sealing parts worn or damaged. - Some part cracked or worn down.	- Replace with the new parts. -Replace with the new part.
5	Forks lowers without the release valve working	-Impurities in the oil prevent the release valve from closing. -Some part/s of hydraulic system are cracked or bored. - Air enters the hydraulic system. -Sealing parts worn or damaged. -The Adjusting Nut (104S) or Screw (318S) is not in the correct position.	-Replace with new oil. -Inspect and replace the damaged part/s. -Remove the air. (See item 4.2) -Replace with the new parts. -Adjust the nut (104S) or screw (318S). (See item 3.2)

NOTE: DO NOT ATTEMPT TO REPAIR THE PALLET TRUCK UNLESS YOU ARE TRAINED AND AUTHORIZED TO DO SO.

ATTENTION: TO INSURE SAFE AND EASY USE OF YOUR WESCO PALLET TRUCK, READ THESE INSTRUCTIONS ENTIRELY BEFORE USING.

7. PART INFORMATION (FOR UNITS PURCHASED AFTER 2016)

7.1 PARTS DIAGRAM



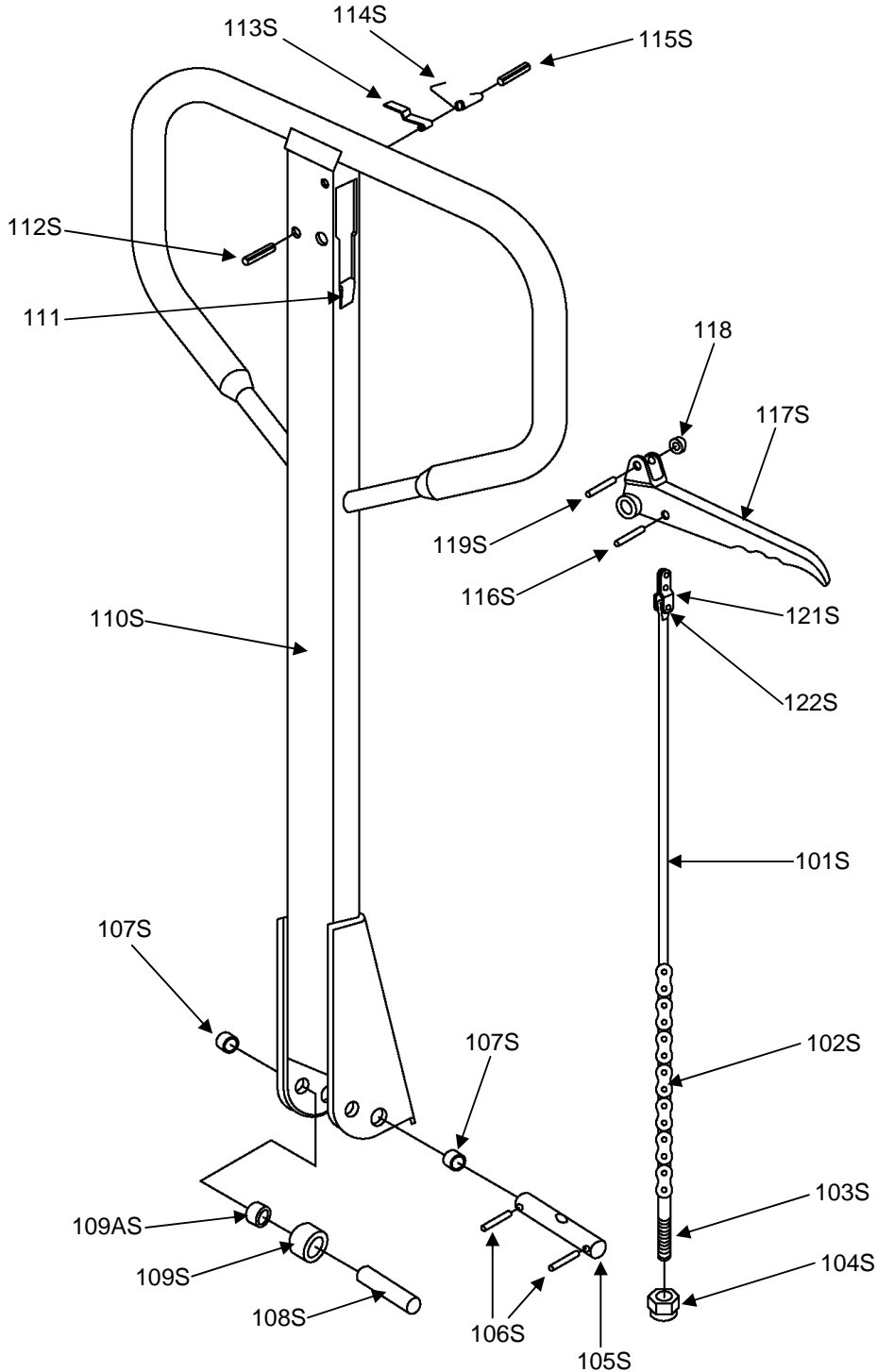
7.2 PARTS DIAGRAM

Item	WESCO Replacement P/N	Description	Material	Qty.
1	273780	Bolt	304 Stainless	2
2	273782	Pump Base Bearing	304 Stainless	1
3	273783	Retaining Ring	304 Stainless	1
4	273784	Steering Wheel	Nylon	2
5	273785	Wheel Bearing	304 Stainless	1
6	273786	Load Wheel	Nylon	1
7	273781	Nut	304 Stainless	1
8	273789	Spring Pin	304 Stainless	2
9	273790	Handle Connecting Shaft	304 Stainless	1
10	273791	Ball	304 Stainless	1
11	273787	Complete Pump Assembly	304 Stainless	1
12	273788	Complete Handle Assembly	304 Stainless	1

ATTENTION: TO INSURE SAFE AND EASY USE OF YOUR WESCO PALLET TRUCK, READ THESE INSTRUCTIONS ENTIRELY BEFORE USING.

8. DRAW-BAR INFORMATION (FOR UNITS PURCHASED BEFORE 2017)

8.1 DRAW-BAR PARTS DIAGRAM



ATTENTION: TO INSURE SAFE AND EASY USE OF YOUR WESCO PALLET TRUCK, READ THESE INSTRUCTIONS ENTIRELY BEFORE USING.

8. DRAW-BAR INFORMATION (FOR UNITS PURCHASED BEFORE 2017)

8.2 DRAW-BAR PARTS LIST

WESCO Replacement P/N	No.	Description	Material Make-up	Qty.
	101S	Release Rod	304 Stainless Steel	1
	102S	Chain	304 Stainless Steel	1
	103S	Adjusting Bolt	304 Stainless Steel	1
	104S	Adjusting Nut	304 Stainless Steel	1
	105S	Axle with Hole	304 Stainless Steel	1
	106S	Elastic Pin	304 Stainless Steel	2
	107S	Bushing	304 Stainless Steel	2
	108S	Roller Pin	304 Stainless Steel	1
	109S	Pressure Roller	304 Stainless Steel	1
	109AS	Bushing	304 Stainless Steel	1
	110S	Draw-bar	304 Stainless Steel	1
	111	Stop Rubber	Rubber	1
	112S	Elastic Pin	304 Stainless Steel	1
	113S	Blade Spring	3Cr13	1
273505	114S	Spring	3Cr13	1
	115S	Elastic Pin	304 Stainless Steel	1
	116S	Elastic Pin	304 Stainless Steel	1
	117S	Control Handle	304 Stainless Steel	1
	118	Roller	Plastic	1
	119S	Elastic Pin	304 Stainless Steel	1
	120S			
	121S	Pull Board	304 Stainless Steel	1
	122S	Pin	304 Stainless Steel	1

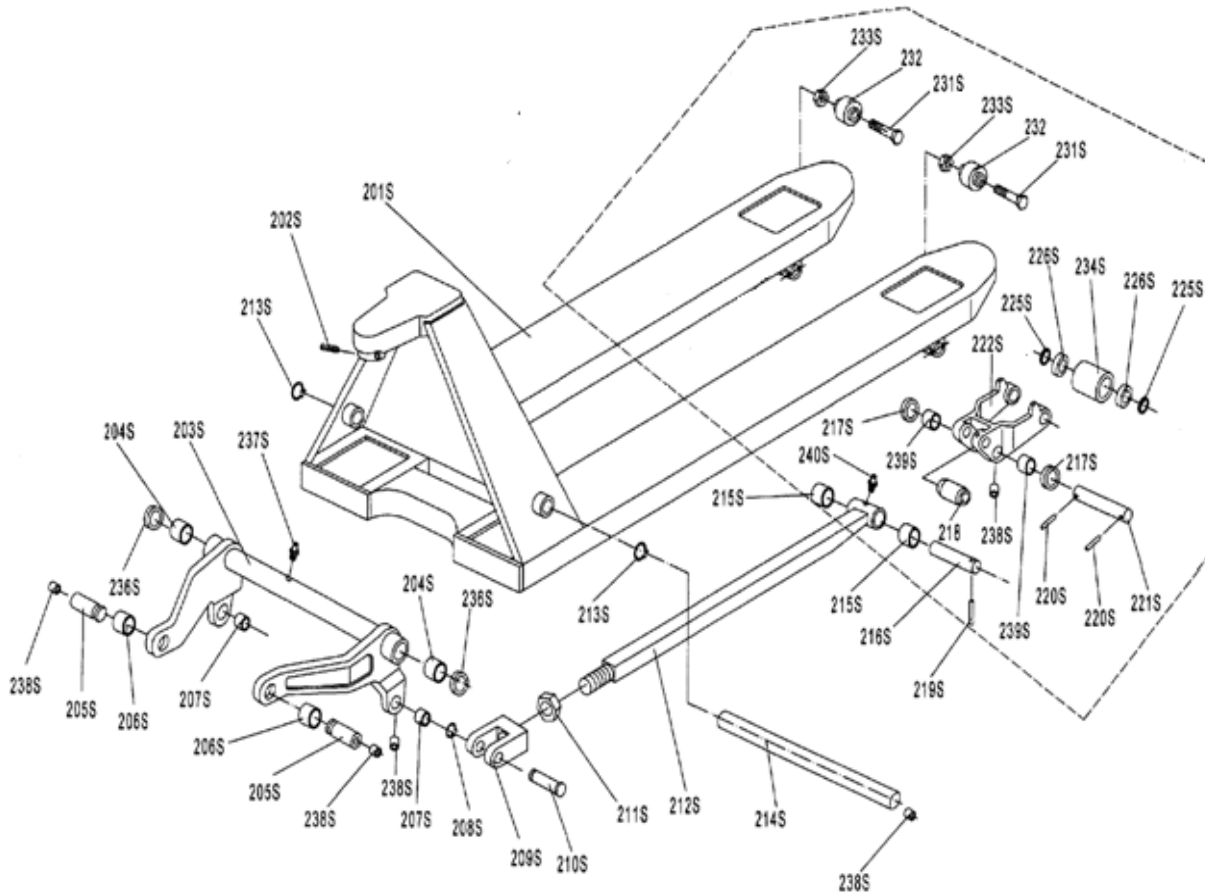
REPLACEMENT KITS OFFERED

273508	Kit	Handle Release Assembly (Includes items 101S, 102S, 103S, 104S, 116S, 117S, 118, 119S, 121S, 122S)	1
273507	Kit	Handle Assembly (Includes items 105S, 106S, 107S, 109S, 110S, 111, 112S, 113S, 114S, 115S)	1

ATTENTION: TO INSURE SAFE AND EASY USE OF YOUR WESCO PALLET TRUCK, READ THESE INSTRUCTIONS ENTIRELY BEFORE USING.

9. FORK FRAME INFORMATION (FOR UNITS PURCHASED BEFORE 2017)

9.1 FORK FRAME DIAGRAM



ATTENTION: TO INSURE SAFE AND EASY USE OF YOUR WESCO PALLET TRUCK, READ THESE INSTRUCTIONS ENTIRELY BEFORE USING.

9. FORK FRAME INFORMATION (FOR UNITS PURCHASED BEFORE 2017)

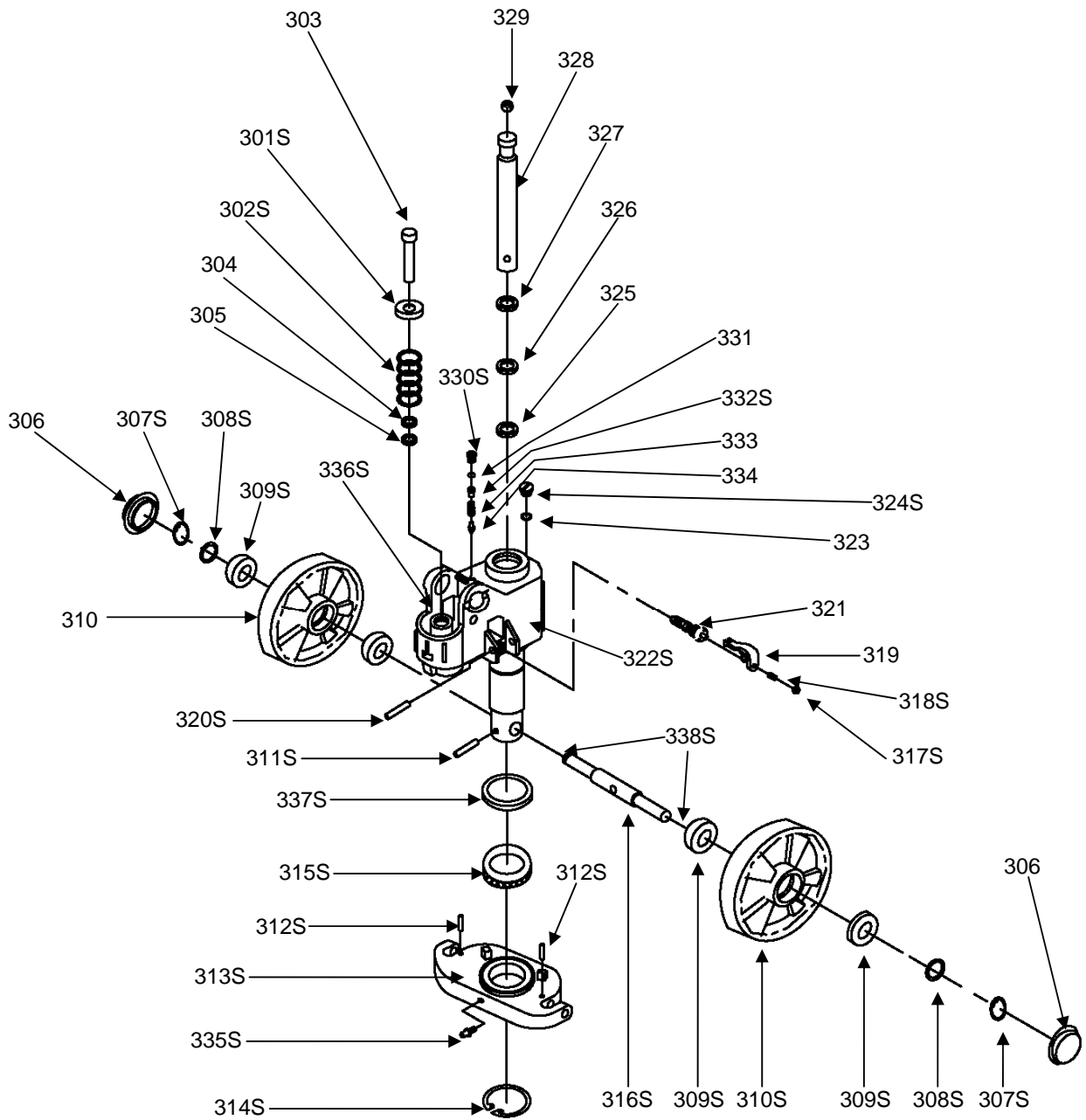
9.2 FORK FRAME PARTS LIST

WESCO Replacement P/N	No.	Description	Material Make-up	Qty.
	201S	Fork Frame	304 Stainless Steel	1
	202S	Elastic Pin	304 Stainless Steel	1
273625	203S	Rock - Arm	304 Stainless Steel	1
273626	204S	Bushing	304 Stainless Steel	2
273627	205S	Shaft	304 Stainless Steel	2
273628	206S	Bushing	304 Stainless Steel	2
273629	207S	Bushing	304 Stainless Steel	2
	208S	Retaining Ring	304 Stainless Steel	2
	209S	Joint	304 Stainless Steel	2
	210S	Pin	304 Stainless Steel	2
	211S	Nut	304 Stainless Steel	2
	212S	Pushing Rod	304 Stainless Steel	2
	213S	Retaining Ring	304 Stainless Steel	2
	214S	Shaft	304 Stainless Steel	1
	215S	Bushing	304 Stainless Steel	4
	216S	Shaft	304 Stainless Steel	2
273765	217S	Intermediate Roller	Plastic	4
	218	Extending Roller	Plastic	2
	219S	Elastic Pin	304 Stainless Steel	2
	220S	Elastic Pin	304 Stainless Steel	4
	221S	Shaft	304 Stainless Steel	2
273679	222S	Frame Of Roller	304 Stainless Steel	2
273672	225S	Washer	Plastic	4
273504	226S	Bearing	304 Stainless Steel	4
273671	230S	Elastic Pin	304 Stainless Steel	2
272331	231S	Bolt	304 Stainless Steel	2
272327	232	Entry Roller	Plastic	2
272326	233S	Locking Nut	304 Stainless Steel	2
273503	234S	Loading Wheel	Nylon	2
273670	235S	Shaft For Wheel	304 Stainless Steel	2
	236S	Washer	Nylon	2
	237S	Grease Cup	304 Stainless Steel	1
	238S	Grease Cup	304 Stainless Steel	8
272139	239S	Bushing	304 Stainless Steel	4
	240S	Grease Cup	304 Stainless Steel	2

ATTENTION: TO INSURE SAFE AND EASY USE OF YOUR WESCO PALLET TRUCK, READ THESE INSTRUCTIONS ENTIRELY BEFORE USING.

10. HYDRAULIC SYSTEM INFORMATION (FOR UNITS PURCHASED BEFORE 2017)

10.1 HYDRAULIC SYSTEM DIAGRAM



ATTENTION: TO INSURE SAFE AND EASY USE OF YOUR WESCO PALLET TRUCK, READ THESE INSTRUCTIONS ENTIRELY BEFORE USING.

10. HYDRAULIC SYSTEM INFORMATION (FOR UNITS PURCHASED BEFORE 2017)

10.2 HYDRAULIC SYSTEM PARTS LIST

WESCO Replacement P/N	No.	Description	Material Make-up	Qty.
273524	301S	Spring Cap	304 Stainless Steel	1
273506	302S	Spring	304 Stainless Steel	1
	303	Pump Piston	Steel	1
	304	Dust Ring	Polyurethane	1
	305	Seal	Polyurethane	1
272793	306	Dust Cover (White)	Plastic	2
273673	307S	Locking Ring	304 Stainless Steel	2
273674	308S	Washer	Nylon	2
273502	309S	Bearing	304 Stainless Steel	4
273501	310	Steering Wheel	Nylon	2
	311S	Elastic Pin	304 Stainless Steel	1
273735	312S	Elastic Pin	304 Stainless Steel	2
273736	313S	Thrust Plate	304 Stainless Steel	1
273737	314S	Retaining Ring	304 Stainless Steel	1
272137	315S	Bearing	304 Stainless Steel	1
	316S	Shaft of Loading Wheel	304 Stainless Steel	1
	317S	Nut	304 Stainless Steel	1
	318S	Screw	304 Stainless Steel	1
	319S	Lever Plate	304 Stainless Steel	1
	320S	Elastic Pin	304 Stainless Steel	1
273621	321	Valve Cartridge	304 Stainless Steel	1
	322S	Pump Body	304 Stainless Steel	1
	323	Seal Washer	Rubber	1
	324S	Screw Plug	304 Stainless Steel	1
	325	Seal	Polyurethane	1
	326	O - Ring	Rubber	1
	327	Dust Ring	Polyurethane	1
273622	328	Piston Rod	Steel	1
270059	329	Ball	Steel	1
	330S	Screw Plug	304 Stainless Steel	1
	331	O - Ring	Rubber	1
	332S	Bolt	Steel	1
	333	Spring	Steel	1
	334	Spindle of Safety Valve	Steel	1
273738	335S	Grease Cup	304 Stainless Steel	1
273558	336S	Cylinder	304 Stainless Steel	1
272138	337S	Cover of Bearing	304 Stainless Steel	1
	338S	Grease Cup	304 Stainless Steel	2
272133		Replacement Pump	304 Stainless Steel	1
270061		Seal Kit		1